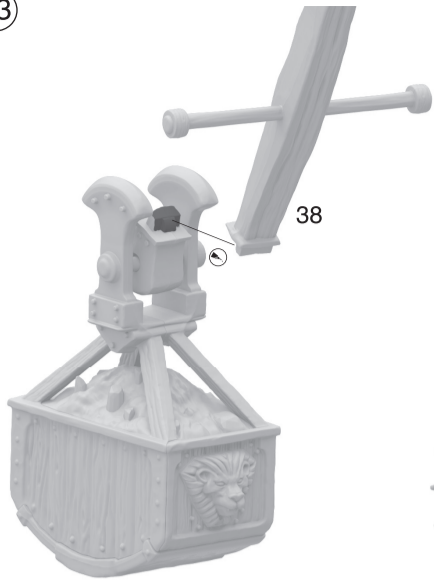
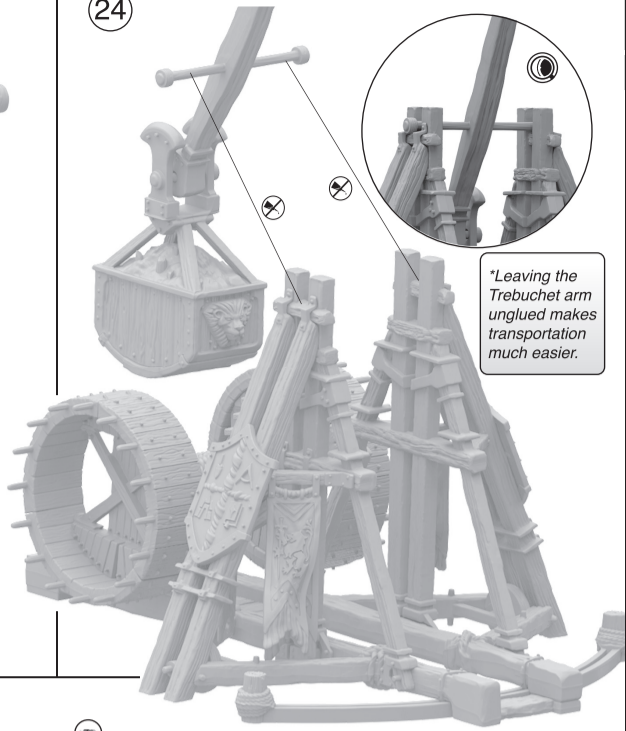


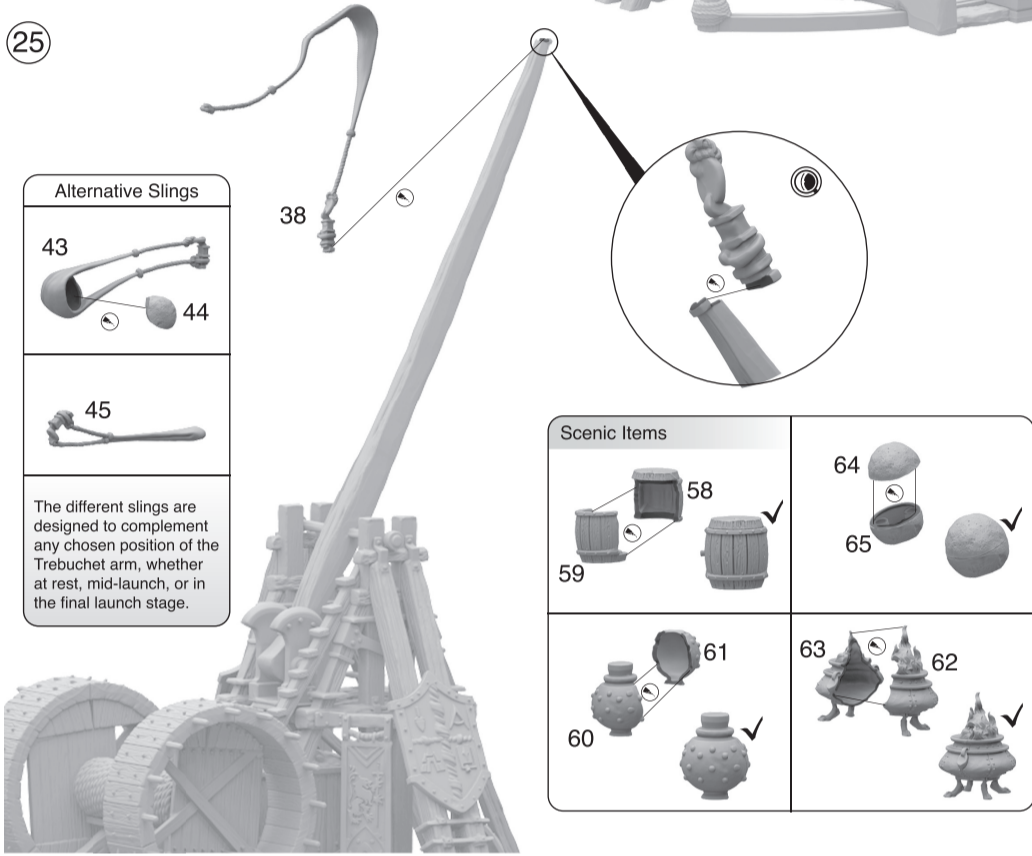
23



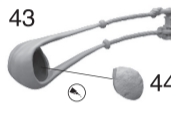
24



25

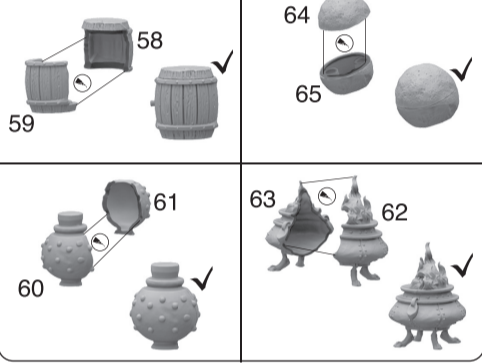


Alternative Slings



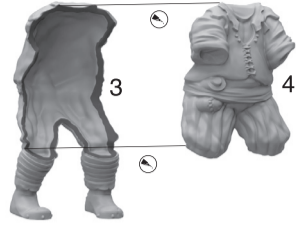
The different slings are designed to complement any chosen position of the Trebuchet arm, whether at rest, mid-launch, or in the final launch stage.

Scenic Items

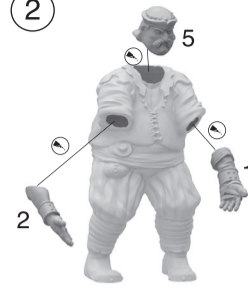


Trebuchet Crew x2

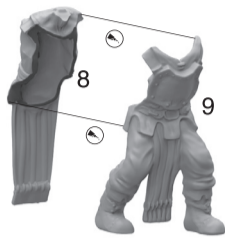
1



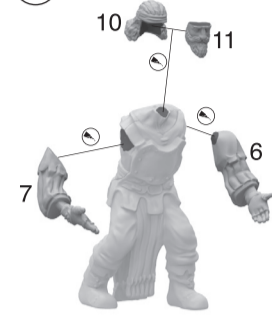
2



1



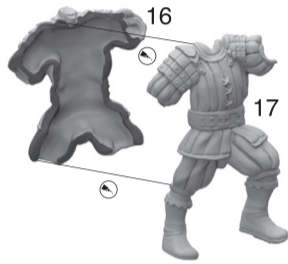
2



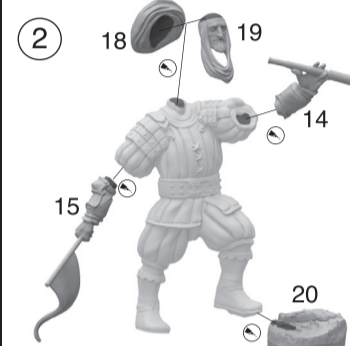
3



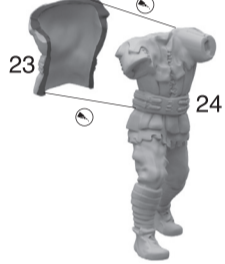
1



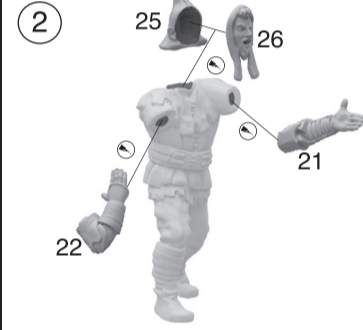
2



1



2



Trebuchet Assembly Instructions

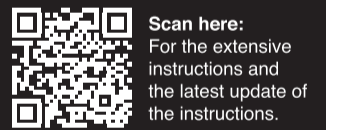
READ THIS FIRST

BEFORE ASSEMBLING YOUR MODEL KIT PLEASE READ THROUGH THE INSTRUCTIONS IN THIS BOOKLET CAREFULLY. A pair of plastic cutters is required to remove the plastic components in this kit from their frame. We advise to carefully scrape mould lines using a hobby knife. To assemble your model you will need super glue for resin parts or plastic glue for plastic parts.

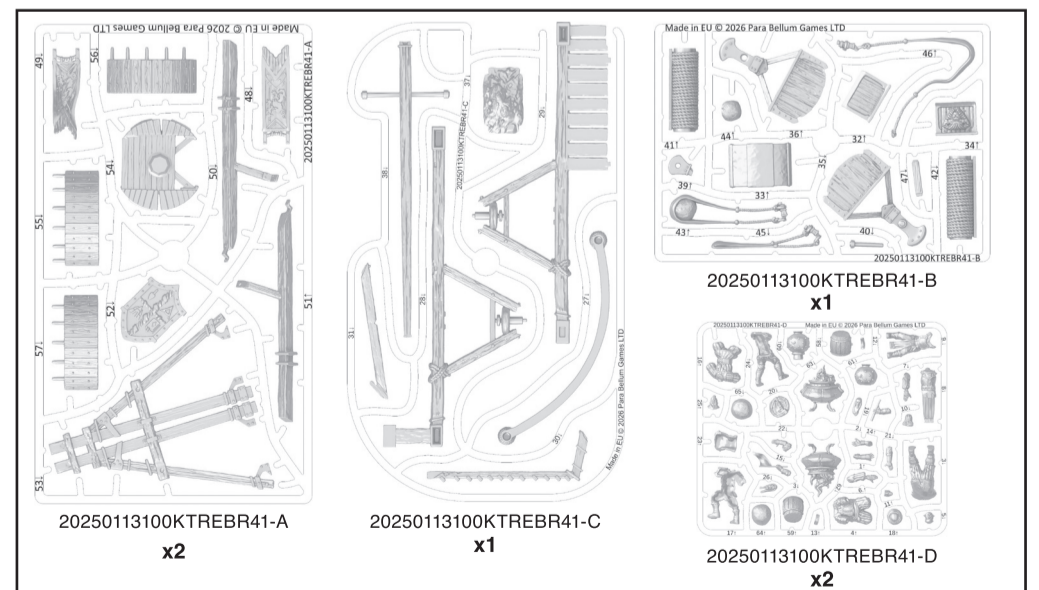
SYMBOL EXPLANATION

- Special Instruction - Please read, Do not glue the components, Rotate part, Variant assembly, Detail view, Glue the component, Stage complete, Repeat process

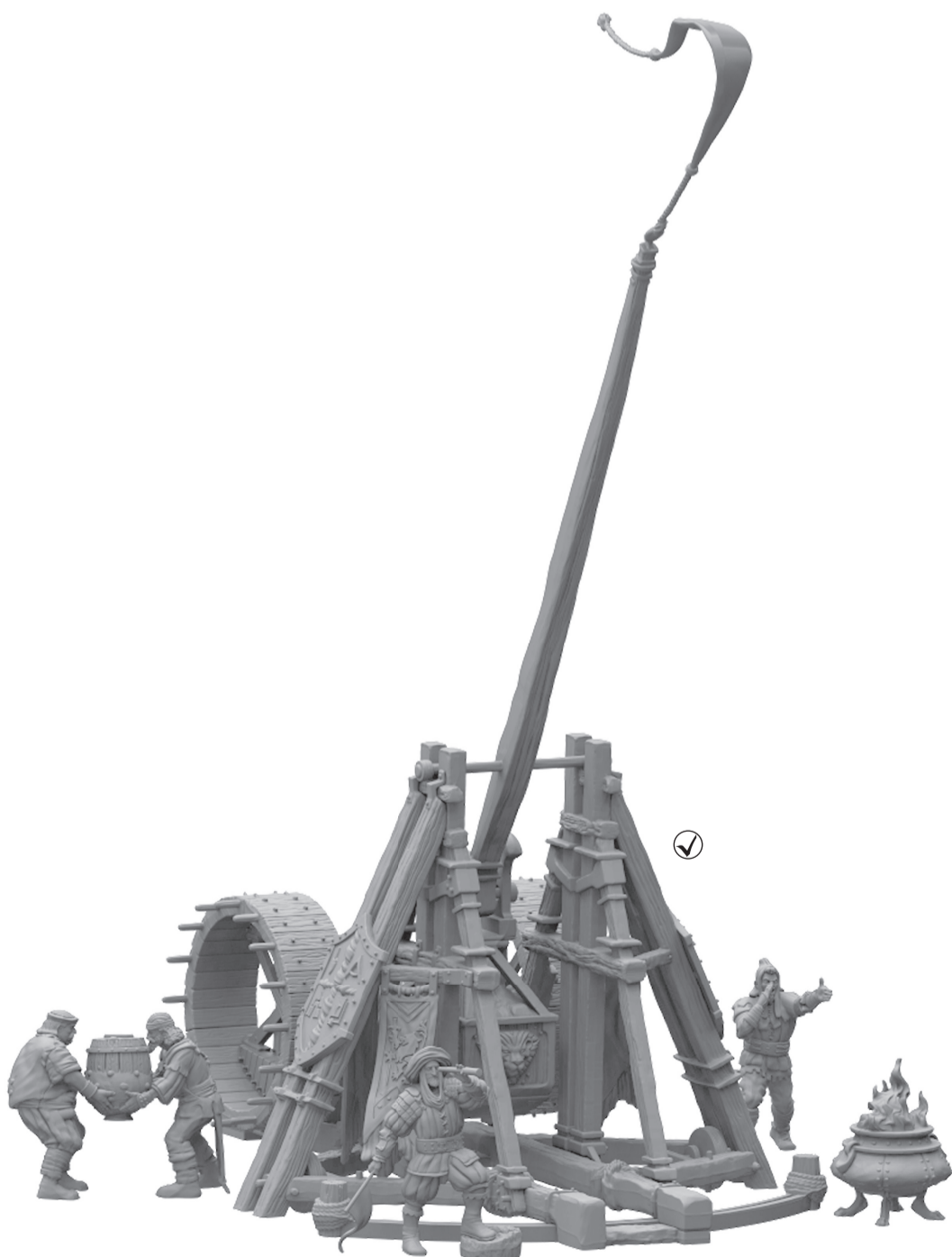
You will need:



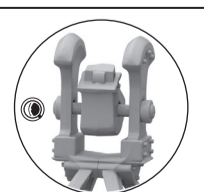
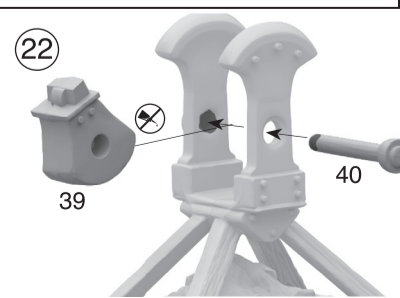
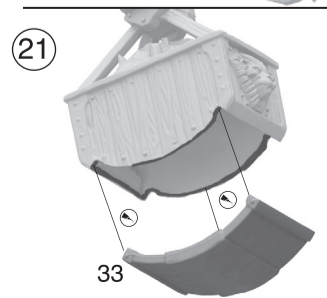
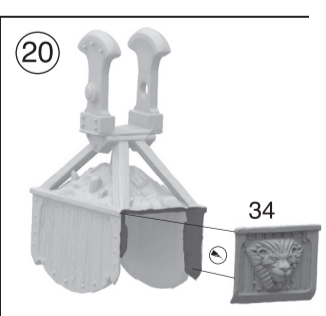
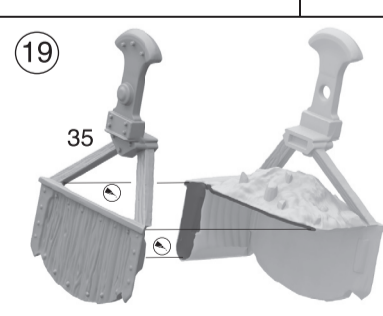
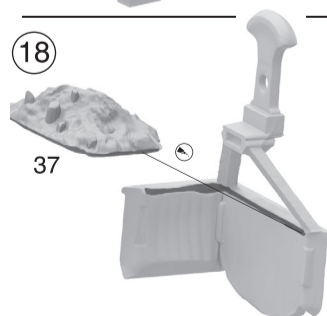
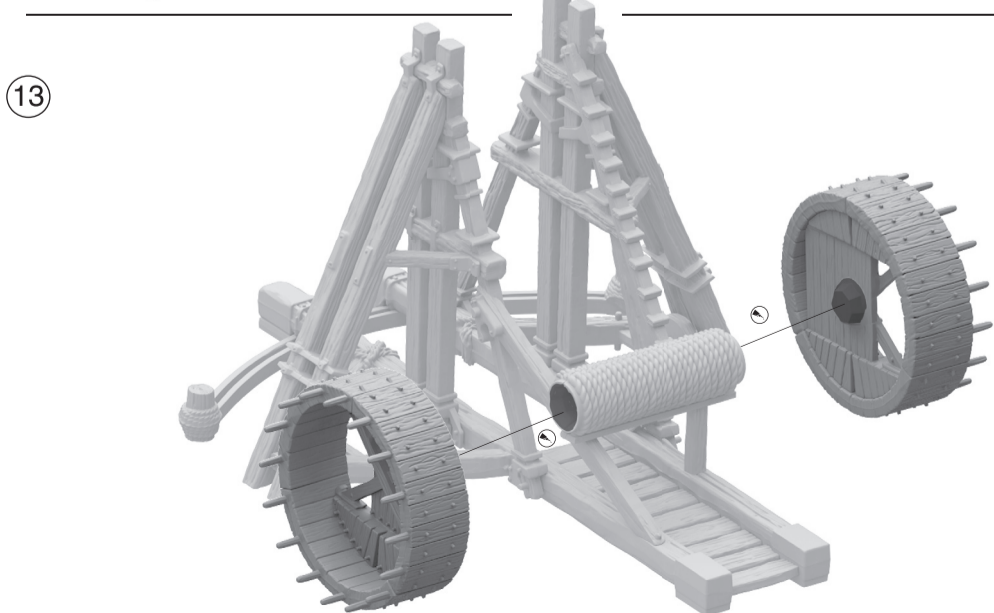
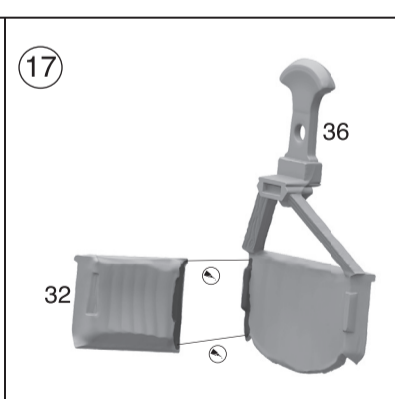
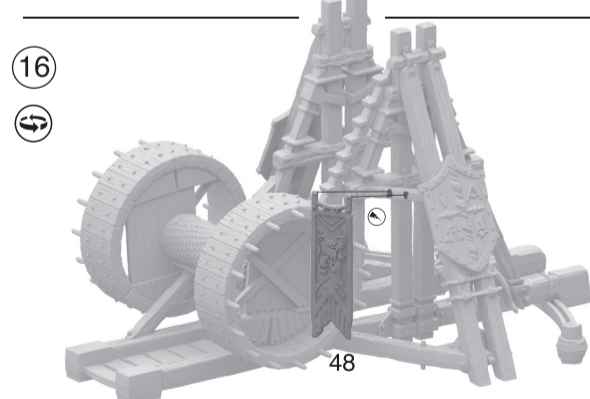
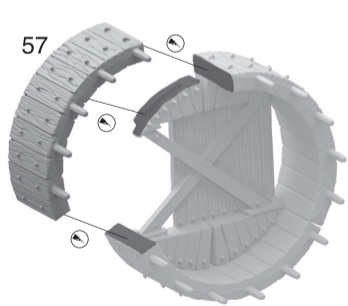
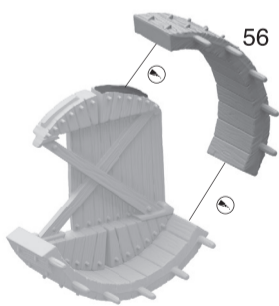
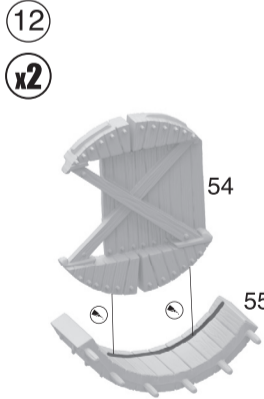
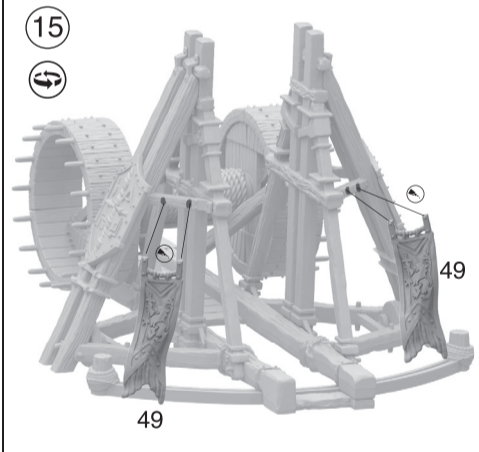
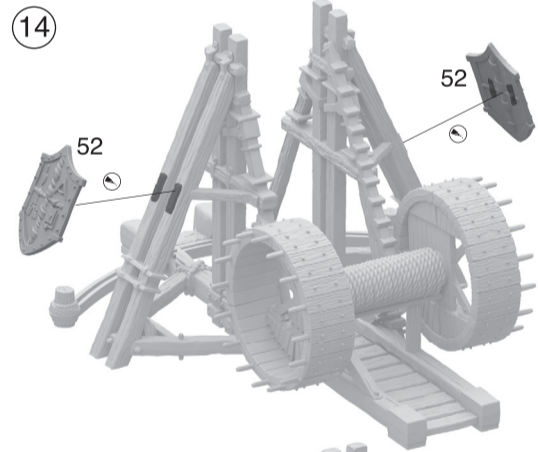
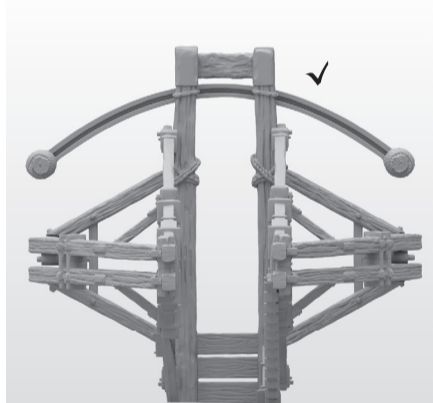
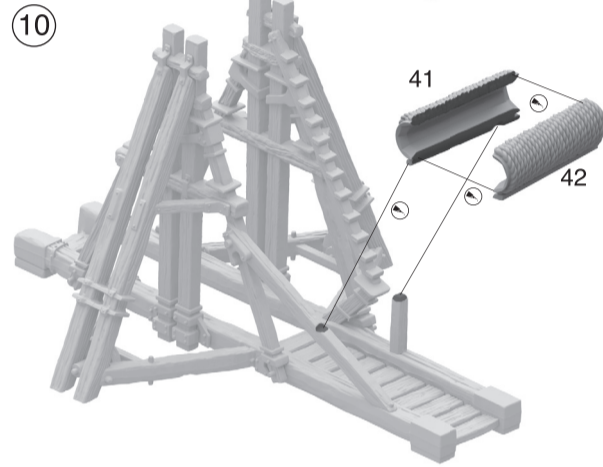
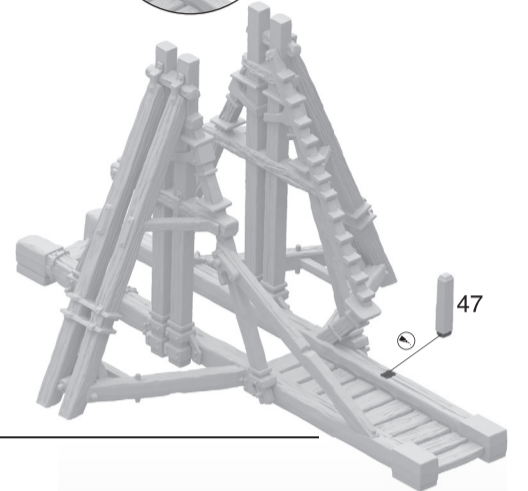
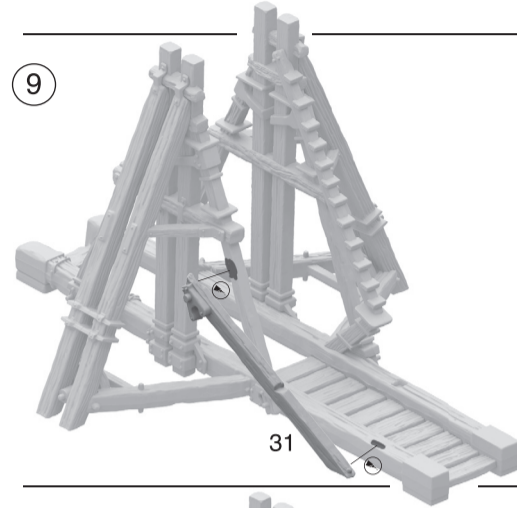
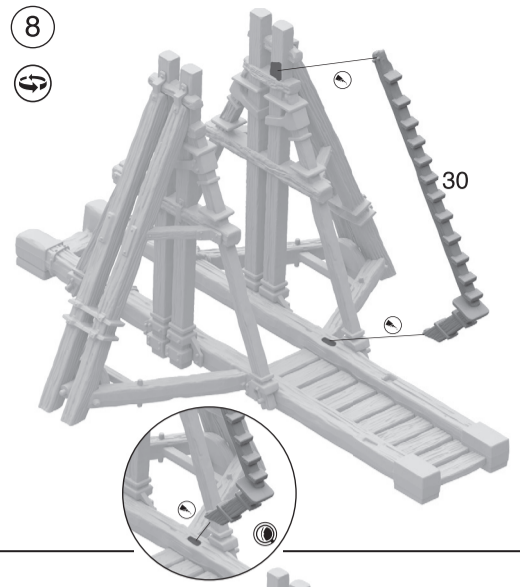
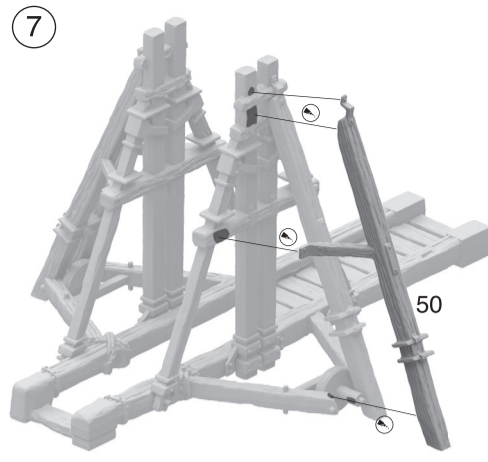
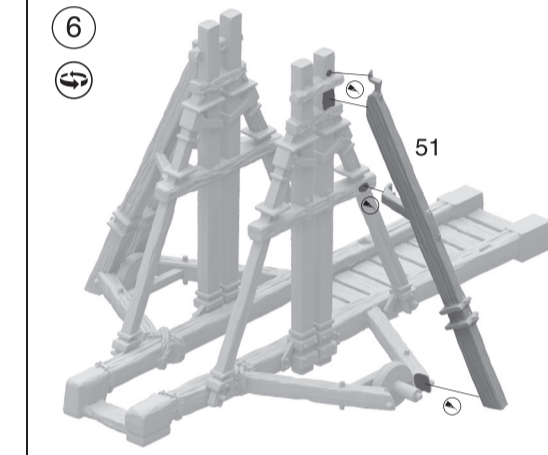
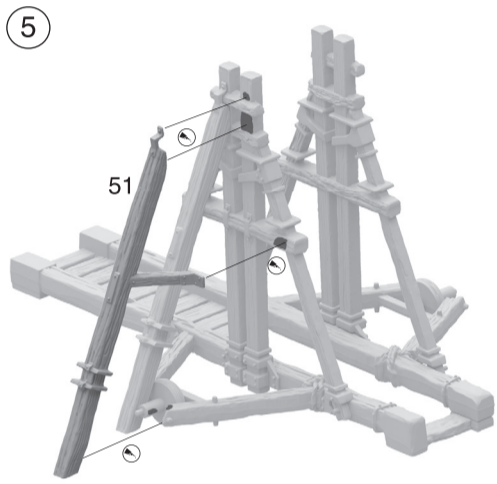
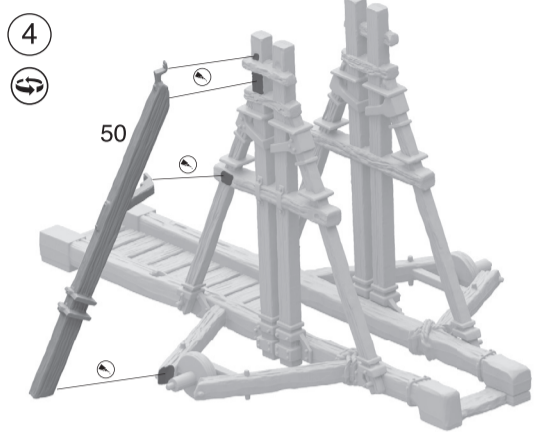
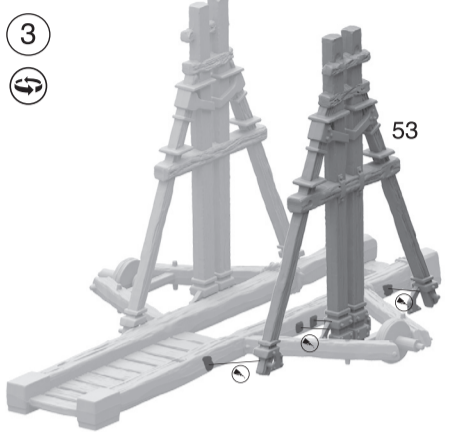
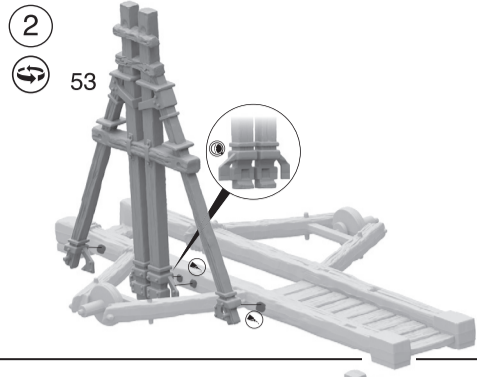
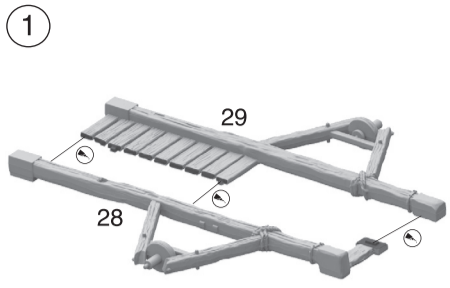
What you get:



Make sure to dry fit parts before gluing.



Trebuchet



Be careful not to glue the rod to the counterweight, as this part is designed to rotate freely, allowing for a wide range of posing options.