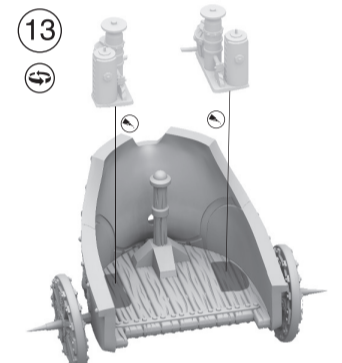
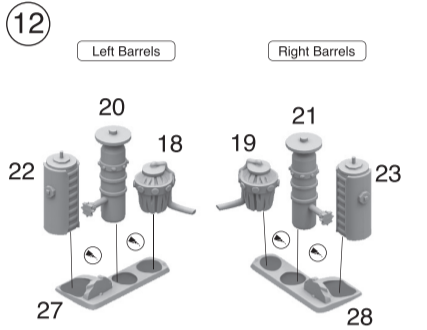
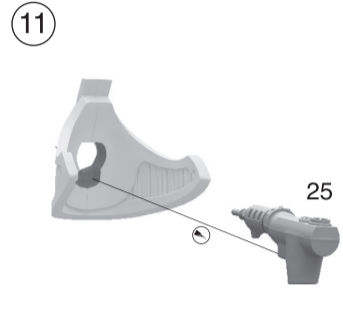
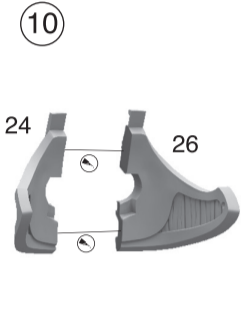
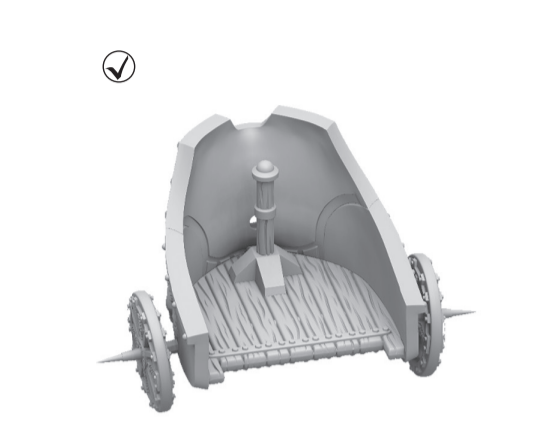
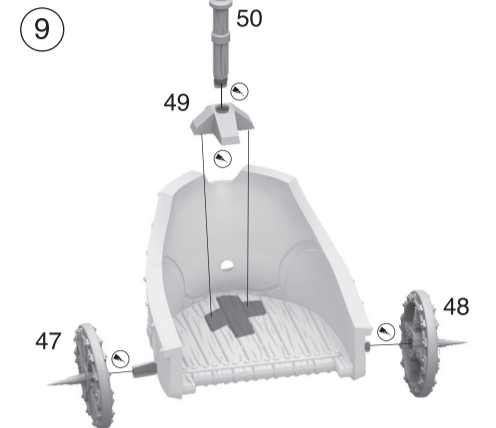
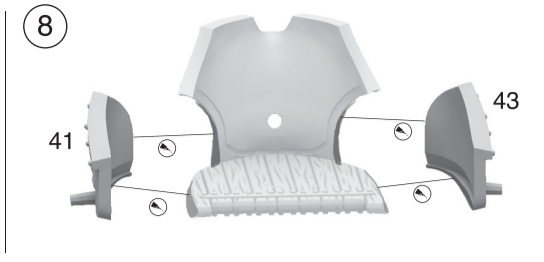
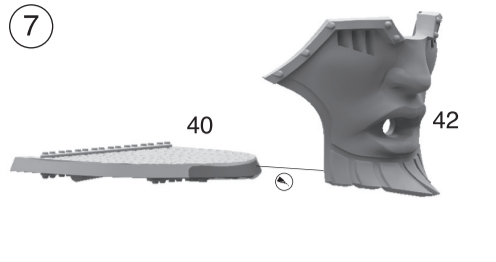
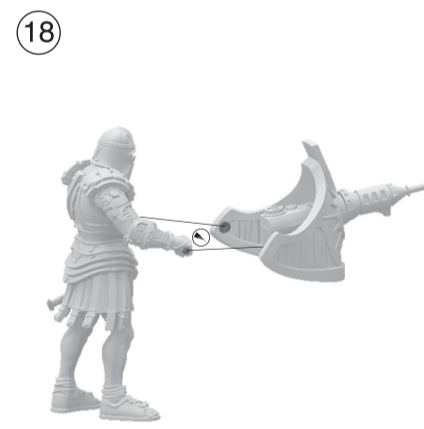
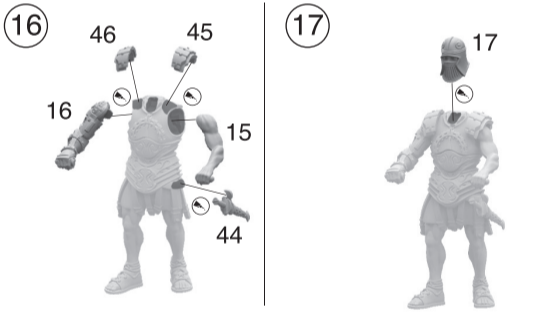
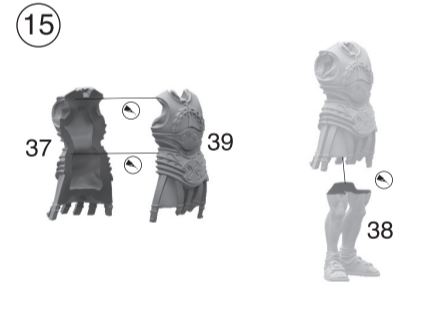
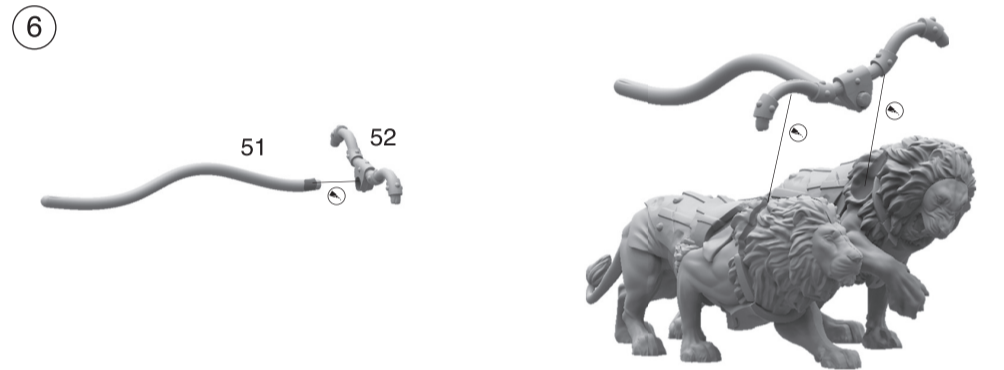
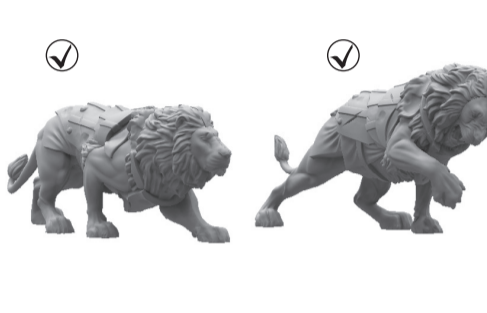
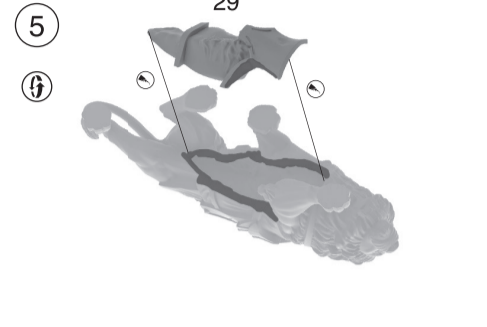
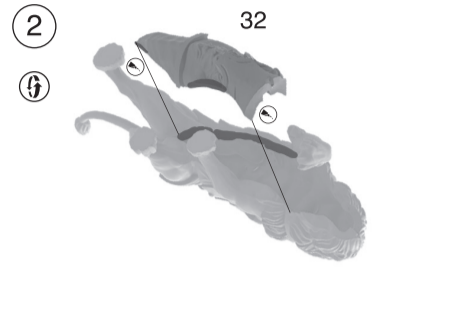
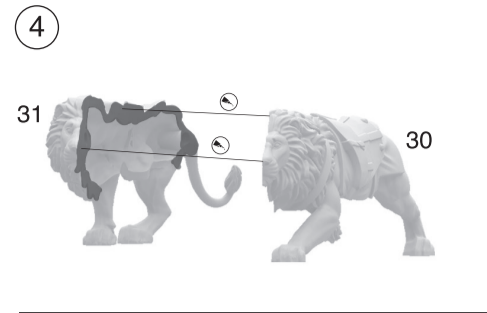
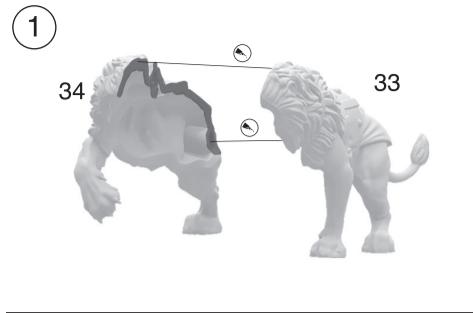


# War Chariot Flogobolon



## War Chariot Flogobolon / War Chariot Skorprios Assembly Instructions

### READ THIS FIRST

BEFORE ASSEMBLING YOUR MODEL KIT PLEASE READ THROUGH THE INSTRUCTIONS IN THIS BOOKLET CAREFULLY. A pair of plastic cutters is required to remove the plastic components in this kit from their frame. We advise using a mouldline scraping to clean up the parts. To assemble your model you will need plastic glue.

### SYMBOL EXPLANATION

- ! Special Instruction - Please read
- ✗ Do not glue the components
- ↻ Rotate part
- ⚙ Variant assembly
- 🔍 Detail view
- 🔪 Glue the component
- ✓ Stage complete
- ✖2 Repeat process

### You will need:

	Plastic Glue		Plier Cutters		Precision Knife		scan here for latest instruction update.

WAR CHARIOT SKORPIOS / WAR CHARIOT FLOGOBOLON  
CTSTFLSKR1321S020022024-A  
**x1**

WAR CHARIOT SKORPIOS / WAR CHARIOT FLOGOBOLON  
CTSTFLSKR1321S020022024-B  
**x1**

# War Chariot Skorpion

